



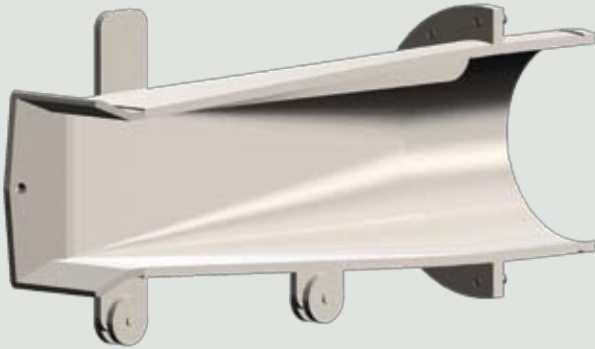
STATIONARY COAL NOZZLES



Our stationary coal nozzles are cast or fabricated to the highest quality standards. When compared to cast nozzles, our wear options provide superior protection against coal flow erosion. Complete coal nozzle assemblies with coal nozzle tips and numerous support bracket designs are available.

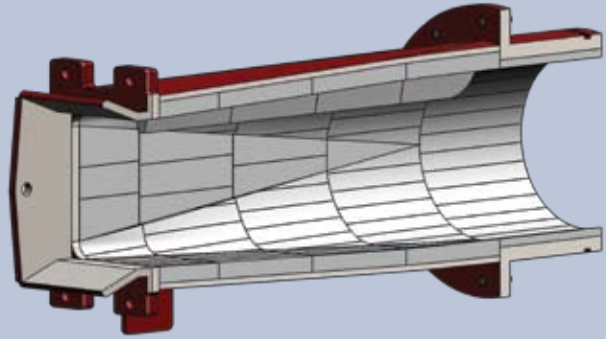
Original Equipment - Cast

Cast from 65-45-12 grade ductile iron.



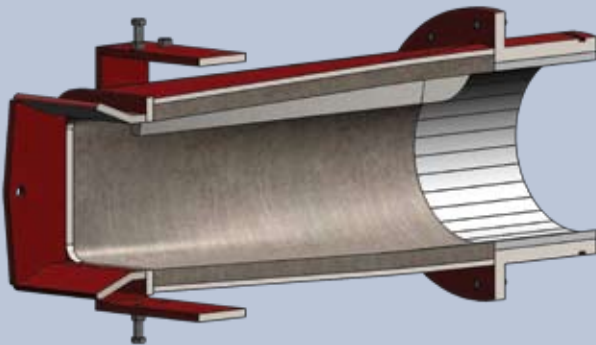
Ceramic-Lined

Fabricated steel shell with pre-engineered high alumina ceramic tile lining.



Ceramic and Refractory Lined

Fabricated steel shell with ceramic tile lining in the inlet. High alumina rammable refractory lining is added through the transition.



Chromium Carbide Lined

Chromium carbide lining on a steel shell throughout the inlet, transition and sides of the discharge throat.

